

# Evolutions Rail™ Contemporary Style Installation Guide



Installing Evolutions Rail™ Contemporary Style with Glass Infill ..... 2  
 Installing Evolutions Rail™ Contemporary Style Stairs with Glass Infill..... 9  
 Notes ..... 15

## TimberTech Code Listings

Once a product is tested by an independent lab, an application and report is submitted to one of several agencies that provide listings for building products that meet the requirements of Acceptance Criteria 174 (AC 174) as set forth by the International Code Council Evaluation Service (ICC-ES). TimberTech currently has listings from the ICC-ES and Architectural Testing Inc. The following TimberTech reports on code compliance are available to download on [www.timbertech.com](http://www.timbertech.com).

For the most up-to-date code listings visit [www.timbertech.com/installation](http://www.timbertech.com/installation).

ATI Architectural Testing, Inc.  
 CCRR-0196 • Evolutions Rail



- Please read all instructions completely before starting any part of the installation.
- TimberTech Rail should be installed using the same good building principles used to install wood or composite railing and in accordance with the local building codes and the installation guidelines included below. TimberTech accepts no liability or responsibility for the improper installation of this product.
- TimberTech Rail may not be suitable for every application and it is the sole responsibility of the installer to be sure that TimberTech Rail is fit for the intended use. Since all installations are unique, it is also the installer’s responsibility to determine specific requirements in regards to each Rail application.
- TimberTech recommends that all applications be reviewed by a licensed architect, engineer or local building official before installation. If you have any questions or need further assistance, please call TimberTech Customer Service at 1.800.307.7780 or visit our website at [www.timbertech.com](http://www.timbertech.com).
- TimberTech Railing is tested as a whole system and should be used that way. It is not intended to be used in conjunction with other railing systems or fasteners.
- The following Installation Guidelines are applicable for installation of TimberTech Evolutions Rail Contemporary Style railing.
- IMPORTANT: Make sure the DRIVE TOOL/DRILL is configured or set to use the SCREW setting when driving and/or tightening all FASTENERS.
- SAFETY: Always wear goggles when handling, cutting, drilling and fastening materials.
- Failure to install this product in accordance with applicable building codes and TimberTech’s written Rail Install Guide may lead to personal injury, affect rail system performance and void the product warranty.

# Installing Evolutions Rail™ Contemporary Style with Glass Infill



Visit [www.timbertech.com/installation](http://www.timbertech.com/installation) to view TimberTech installation videos. Consult your local building codes for guard and handrail requirements.

## Evolutions Rail™ Contemporary Rail Packs are available in 6' lengths.

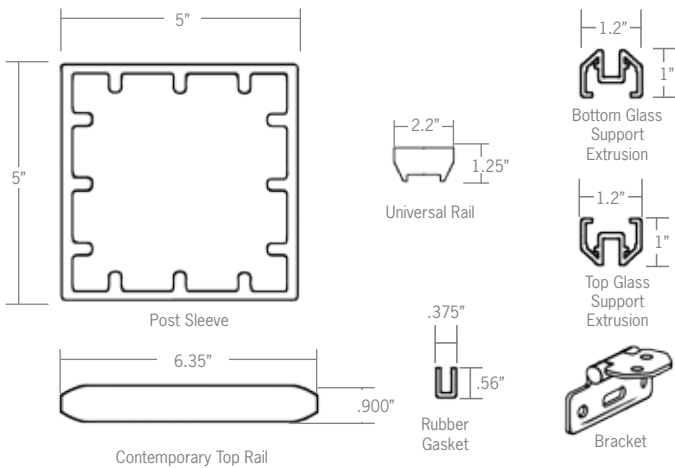
### Measuring Your Railing Area

- Measurements are from center of post. Evolution Rails are produced to 6' to allow for finished end cuts and angles.
- Determine how many 6' Evolution Rails you need and check to be sure you have all the components (and quantities) listed in the chart shown to the right.

### Important Information

- ⚠️ • 6' Evolution Rail is designed not to exceed 6' center of post to center of post, respectively
- Cut slowly, using a fine tooth saw blade to avoid chipping.
- For 42" railing, use 8' Post Sleeves.

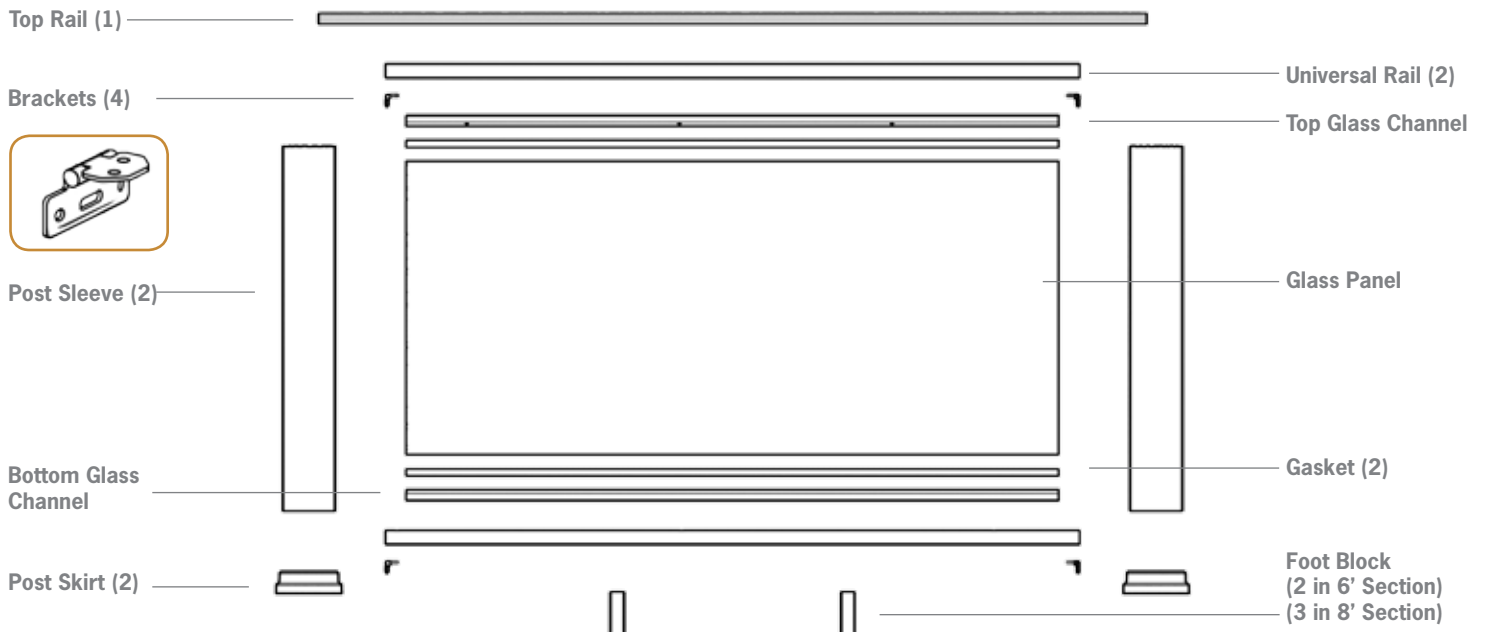
### Component Dimensions



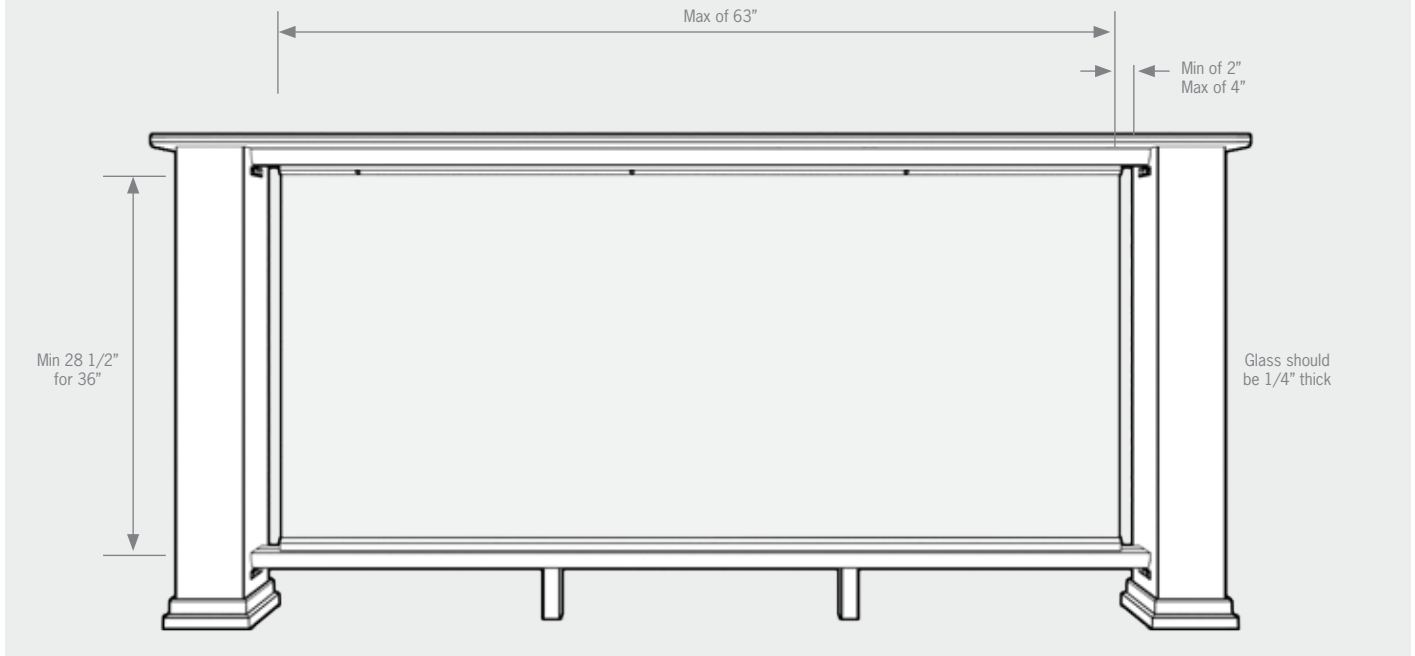
Components Needed For Installing One Contemporary Style Rail Section	
Components available separately for mix-and-match rail systems	<b>Contemporary Rail Pack</b> 2 - Universal Rails Hardware Kit 8 - Top Rail Screws Foot Blocks - 2 in 6' Pack - 3 in 8' Pack
Hardware needed to complete 6' and 8' rail sections	<b>Hardware Mounting Kit:</b> 4 - Hinged Brackets 11 - #10 x 2" Screws 8 - #10 x 7/8" Screws 4 - #10 x 1.5" Screws 1 - T25 Torx Driver Bit
Glass Hardware Pack	1 - Top Glass Channel 1 - Bottom Glass Channel 2 - Rubber Gaskets 6 - #8 x 2 1/4" Screws 6 - #8 x 2" Screws 3 - #8 x 1" Screws
Additional Components Needed For Each System	⚠️ <b>1/4" Tempered Glass must be sourced locally (See attached reference sheet).</b> 2 - Post Sleeves 2 - Post Skirts 1 - Contemporary Top Rail TimberTech TOPLoc Face Fasteners

### Tools Required

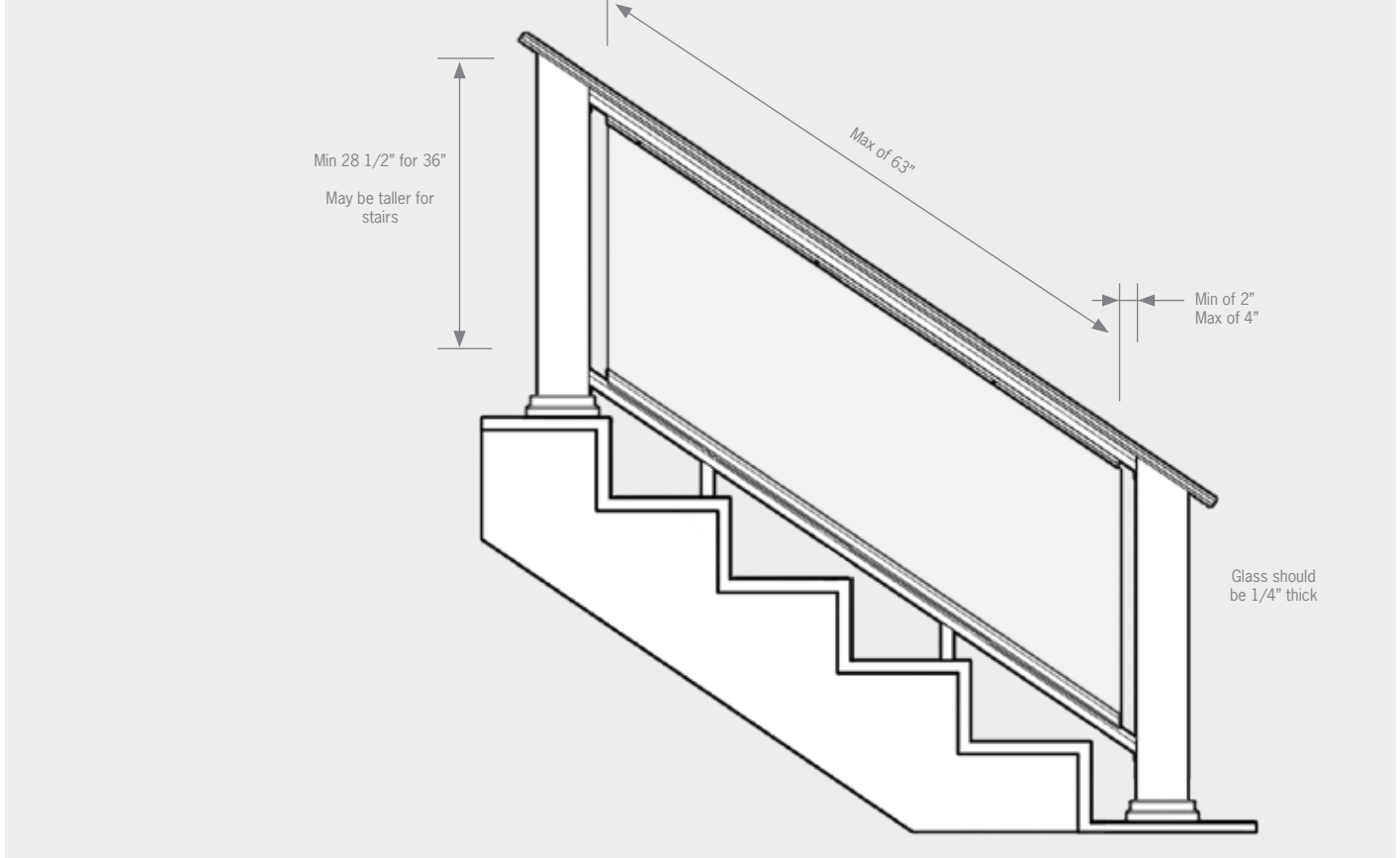
- Miter Saw
- Drill
- Drill Bits: 7/64", 9/64", 3/16", & 1/2"
- Tape Measure



## DIMENSIONAL CONSTRAINTS FOR STRAIGHT SECTION



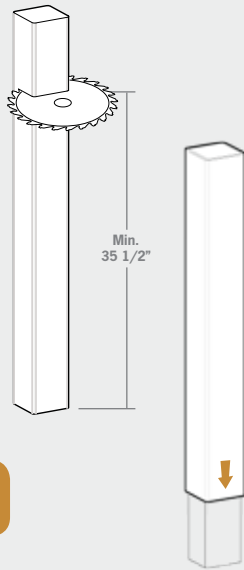
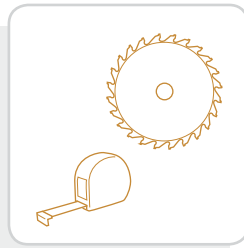
## DIMENSIONAL CONSTRAINTS FOR STAIR SECTION



## 1

### CUT POSTS AND TEMPORARILY INSTALL POST SLEEVES

- Posts must be positioned no more than 8' on center, and must be plumb.
- Trim 4x4 Post to a min of 35 1/2" (for 36") and 41 1/4" (for 42) above finished deck surface.
- Slide uncut Post Sleeves over 4x4 posts. Do not force.

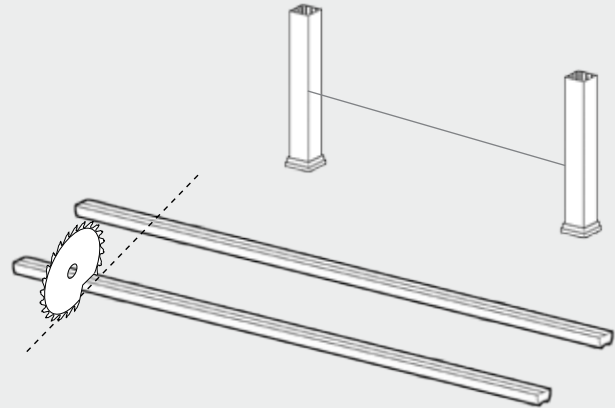
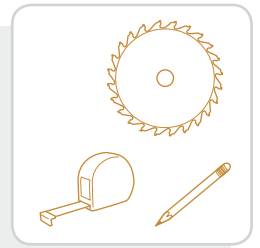


Do not cut Post Sleeves in this step.

## 2

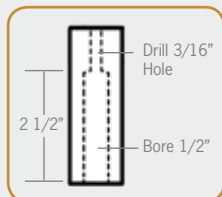
### MEASURE AND CUT SUPPORT RAILS

- Measure between posts and cut Universal Rails.

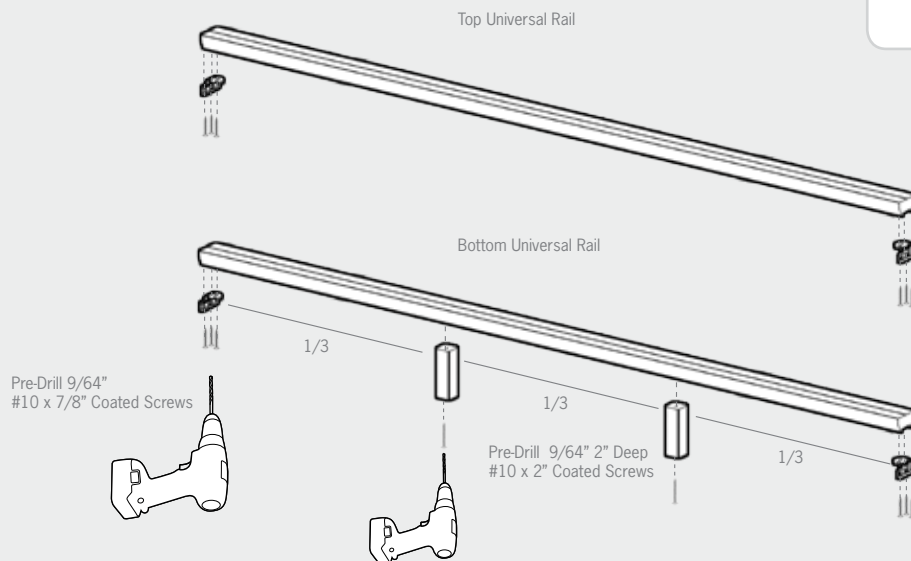


## 3

### ATTACH HINGE BRACKETS TO UNIVERSAL RAILS AND FOOT BLOCKS TO BOTTOM UNIVERSAL RAILS



Foot Block Preparation

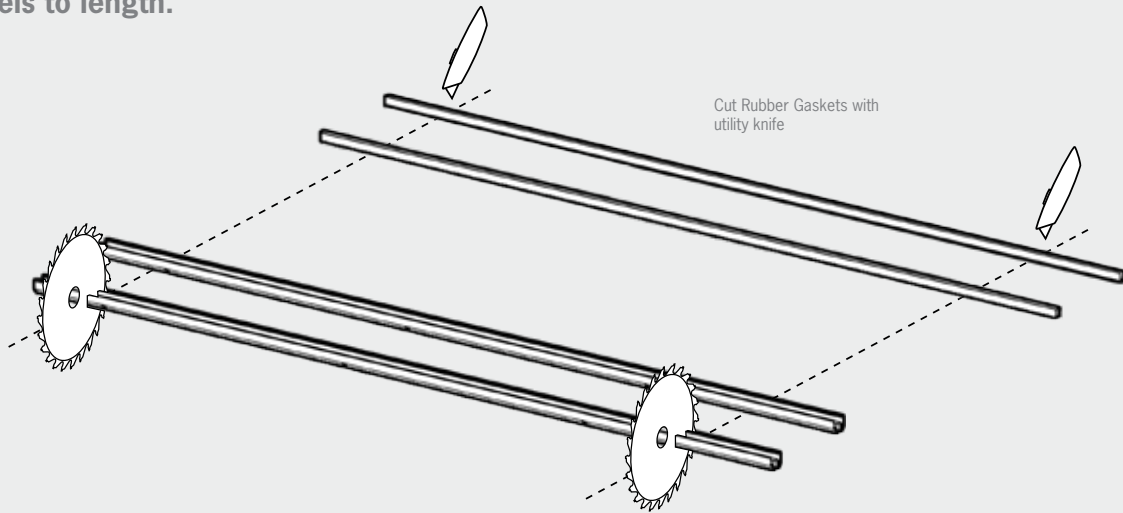
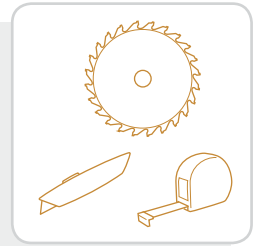


For sections up to 6': Space two Foot Blocks approximately at 1/3 intervals on the rail

## 4

### TRIM GASKETS AND GLASS CHANNELS

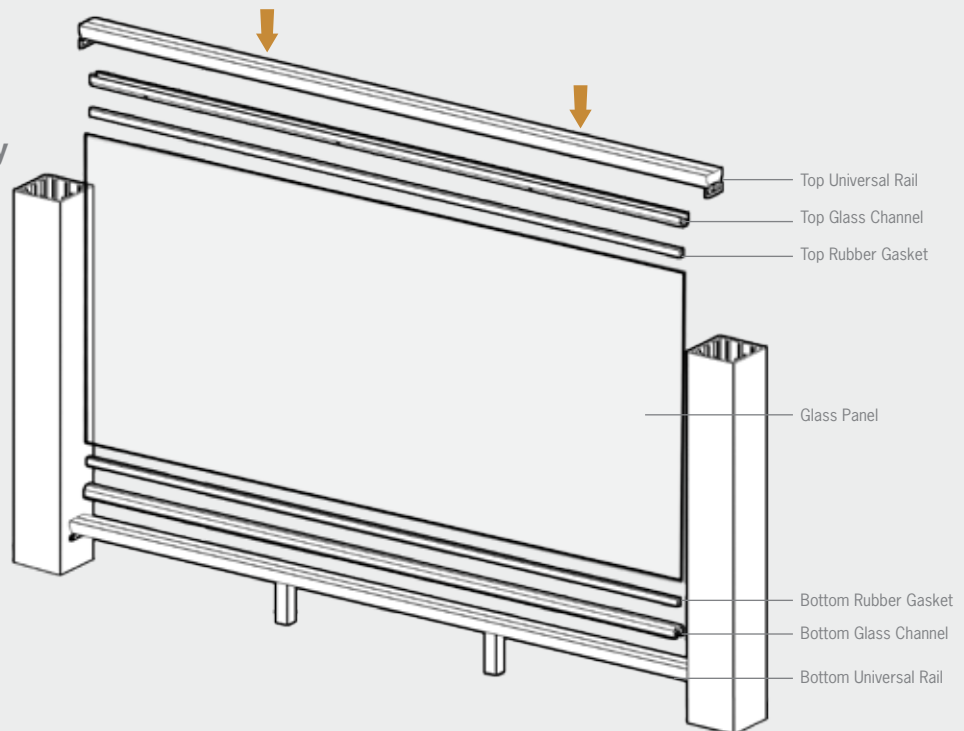
- Using Top Support Rail length as reference, cut Gaskets and Glass Channels to length.



## 5

### TEMPORARILY ASSEMBLE INFILL

- To find height of Post Sleeve cuts, temporarily fit together infill as shown. Do NOT screw anything together.

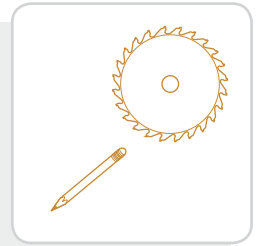
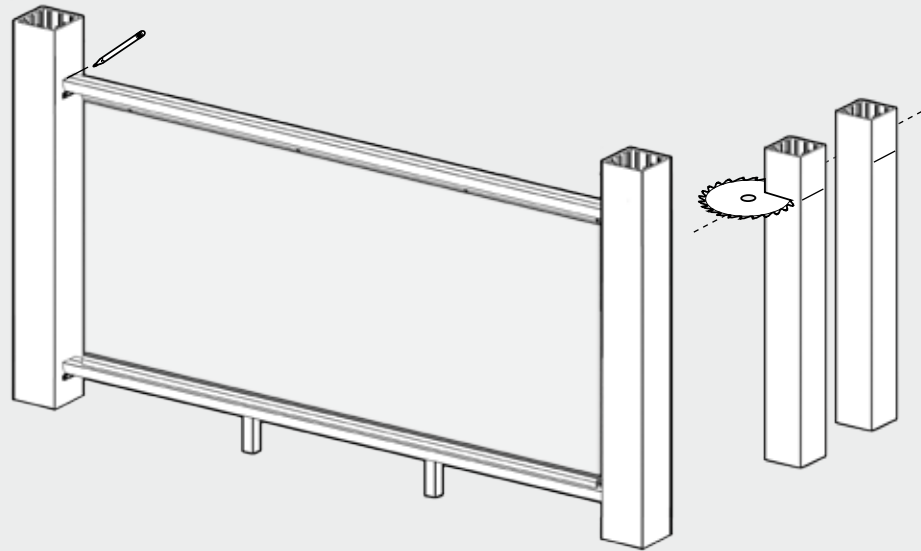


## 6 MARK AND CUT POST SLEEVES

- Mark the top of the Top Universal Rail on the Post Sleeves.

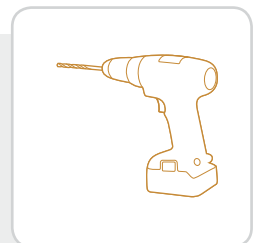
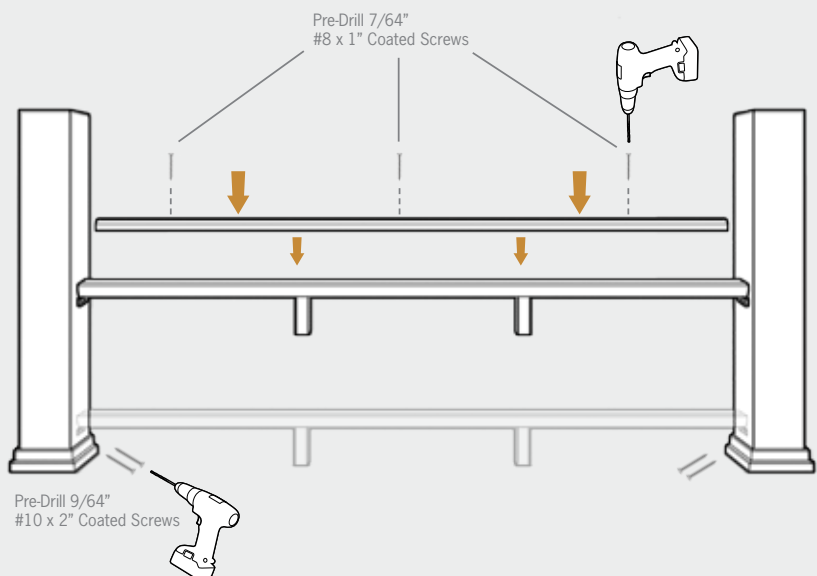
Post Sleeves should be flush with the Top Universal Rails.

- Slide Post Sleeves off posts and cut to appropriate length.



## 7 INSTALL BOTTOM UNIVERSAL RAIL AND BOTTOM GLASS CHANNEL

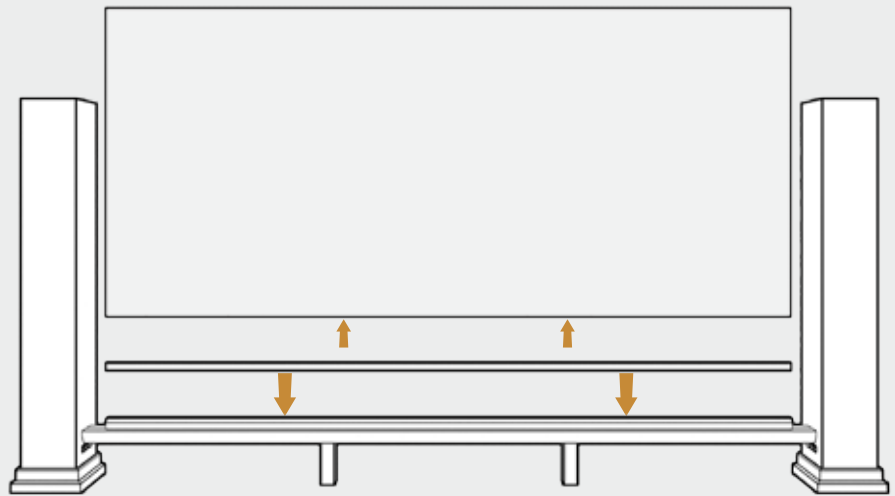
- Replace Post Sleeves and Skirts.
- Install Bottom Universal Rail by Pre-Drilling through Brackets with 9/64" bit and attaching with provided screws.
- Install Bottom Glass Channel. Pre-Drill through existing holes and attach with screws.



## 8

### INSTALL GASKET AND GLASS PANEL

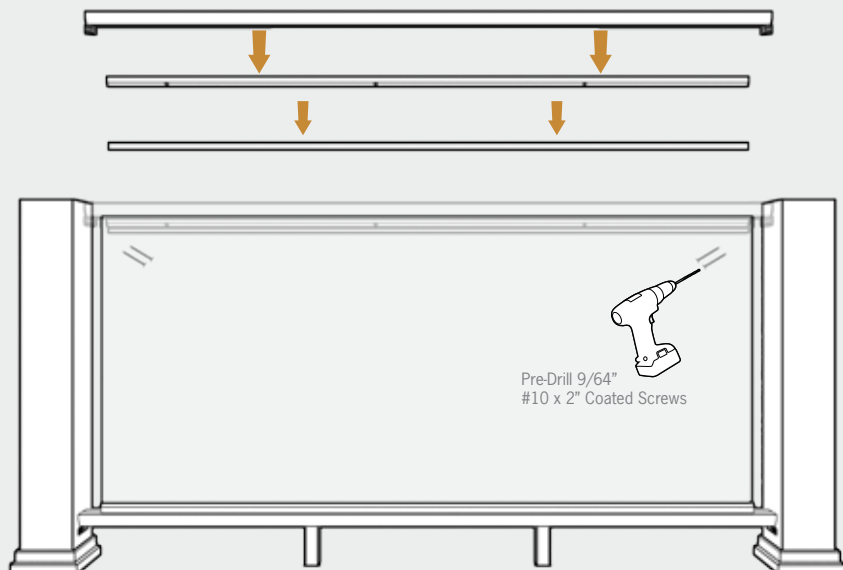
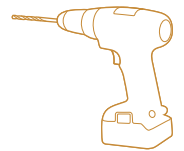
- Fit Bottom Gasket onto bottom of glass panel and fit assembly into channel in Bottom Glass Channel.



## 9

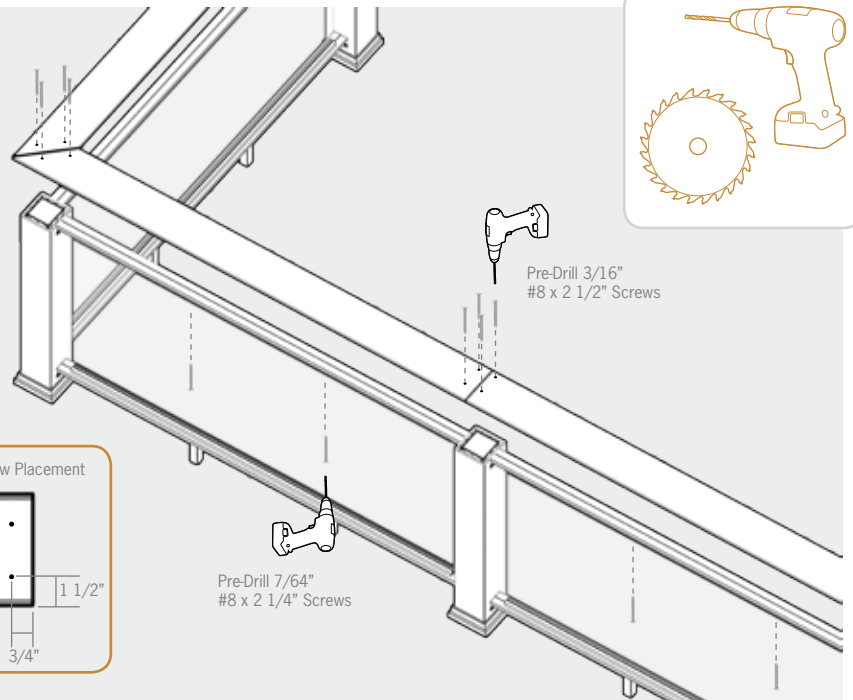
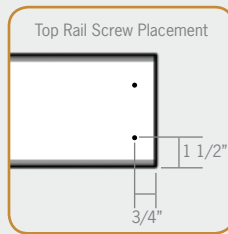
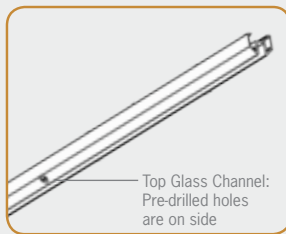
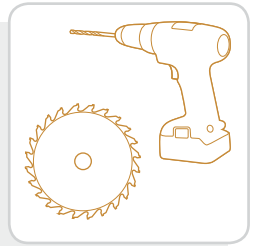
### INSTALL TOP GASKET, TOP GLASS CHANNEL, AND TOP UNIVERSAL RAIL

- Fit Gasket onto top of glass panel, followed by the Top Glass Channel.
- Place Top Universal Rail over glass panel assembly and secure.
- Secure Channel.



## 10 INSTALL TOP RAIL

- Cut Top Rail so that any seams fall at the center of a post. Miter the planks at corner posts.



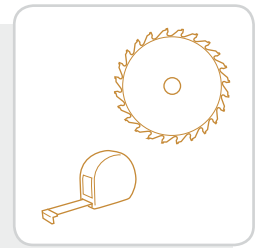
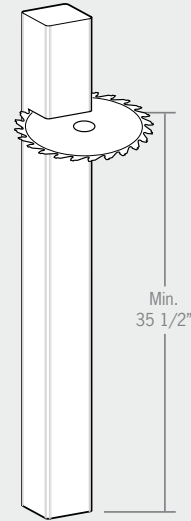
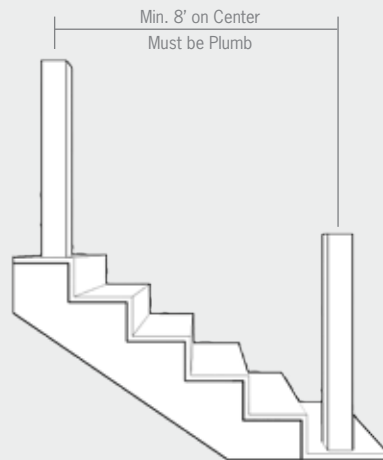
If your rail has stair sections, start installing the cap at the stairs. Wait until all rail sections are complete before beginning Top Rail installation.



## 1

### CUT POSTS AND TEMPORARILY INSTALL POST SLEEVES

- Trim post a min of 35 1/2" (for 36") or 41 1/2" (for 42") above finished deck surface.
- Slide Post Sleeve over 4x4 Post. Do not force.

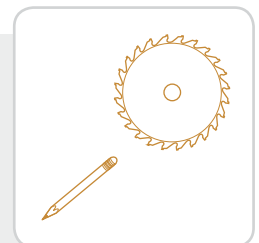
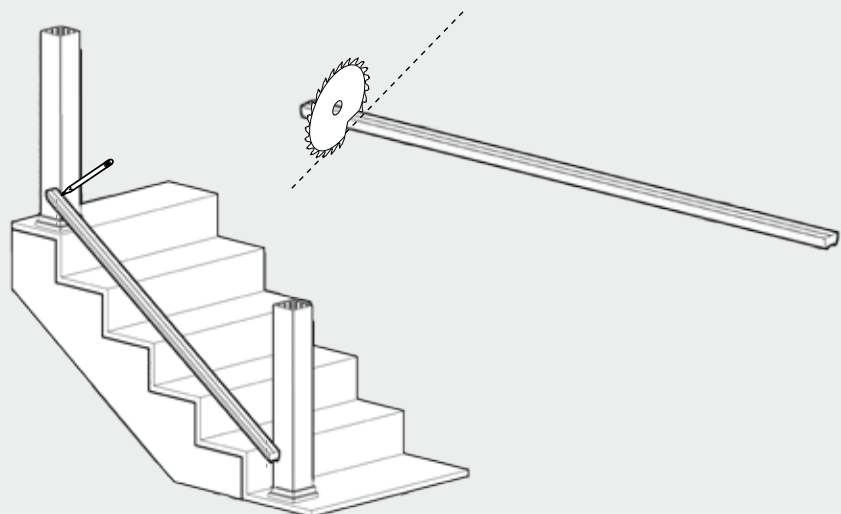


 Do not cut Post Sleeves in this step.

## 2

### CUT UNIVERSAL RAILS

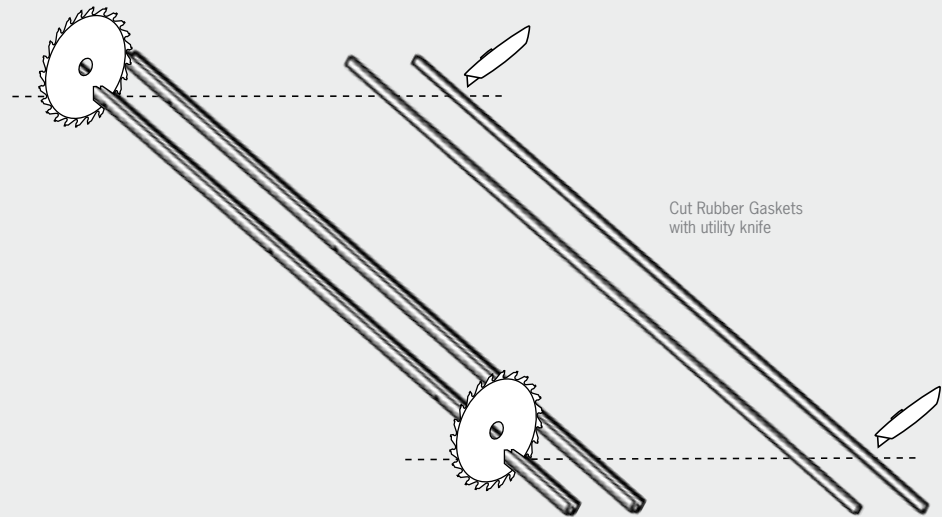
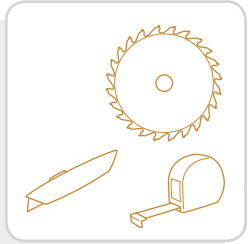
- Rest Bottom Universal Rail on stairs and transfer the length and angle of the stairs onto the rail. This angle will be used throughout the entire installation.
- Cut Bottom and Top Universal Rails according to measurements.



## 3

### TRIM GASKETS AND CLASS CHANNEL

- Using Universal Rail lengths for reference, determine length for Glass Channels and Gaskets, then cut to length at stair angle.

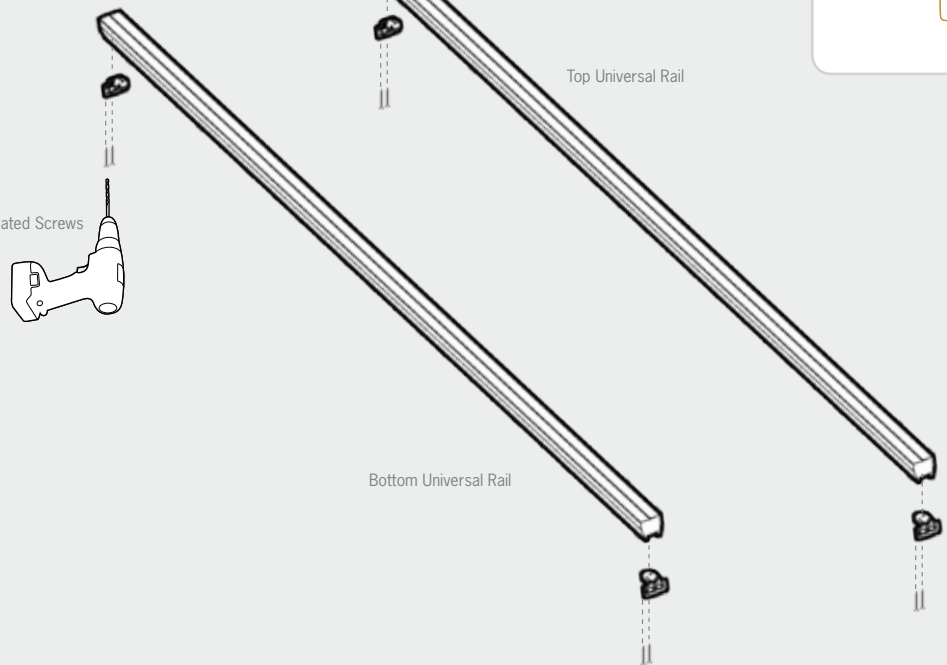


## 4

### ATTACH HINGE BRACKETS TO TOP AND BOTTOM UNIVERSAL RAILS

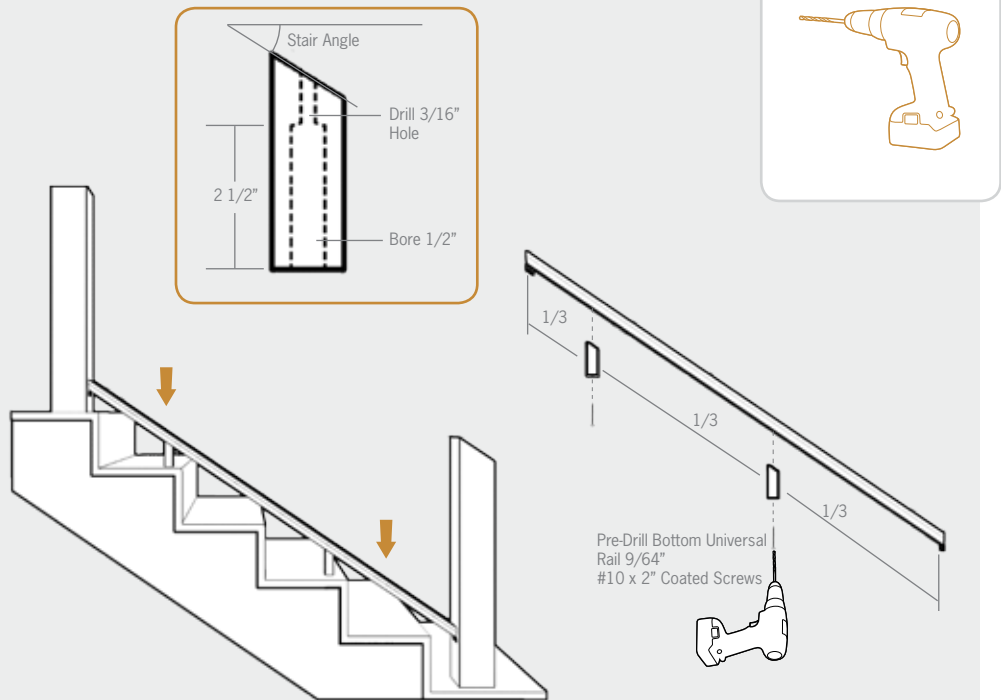


Pre-Drill 9/64"  
#10 x 7/8" Coated Screws



## 5 INSTALL FOOT BLOCKS

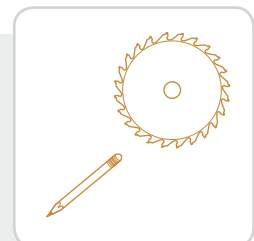
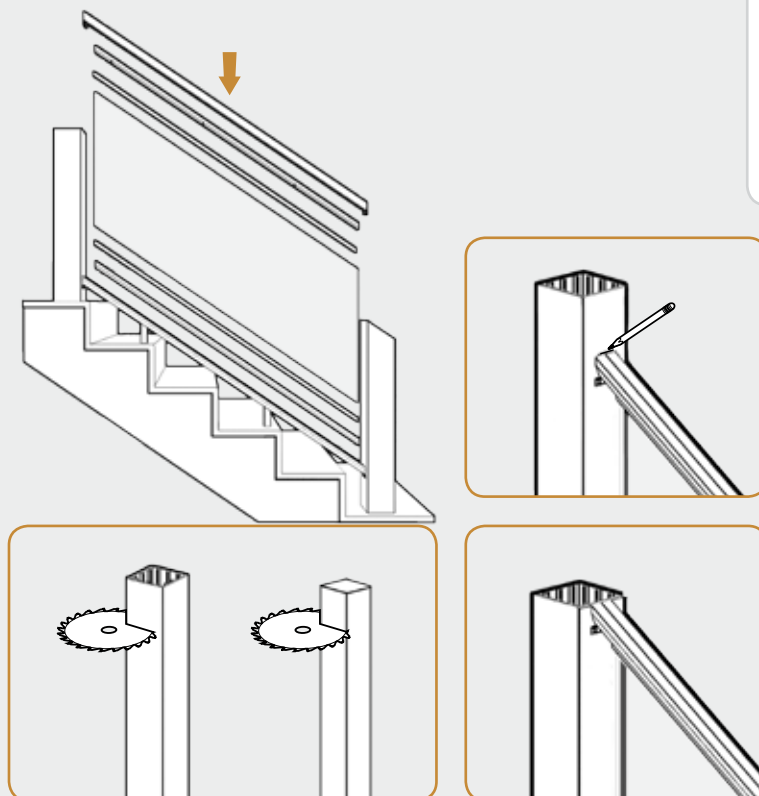
- Temporarily install Bottom Universal Rail.
- Place Foot Blocks in position under Bottom Universal Rail, marking their locations.
- Remove Bottom Universal Rail, Pre-Drill using 9/64" bit, and cut and attach Foot Blocks.



For sections up to 6': Space two Foot Blocks approximately at 1/3 intervals on the rail

## 6 MEASURE AND TRIM TOP POST AND TOP POST SLEEVE

- Temporarily install infill from bottom up: Bottom Universal Rail, Bottom Glass Channel, Gasket, glass panel, Gasket, Top Glass Channel, Top Universal Rail assembly.
- Mark the top of the Top Universal Rail.
- Remove Post Sleeve and trim to length, then Trim Post to same length and replace Post Sleeve.

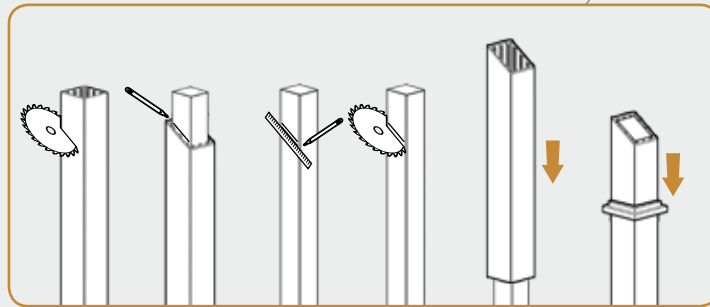
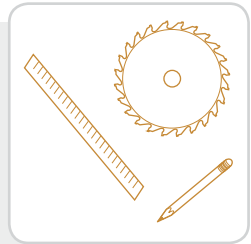
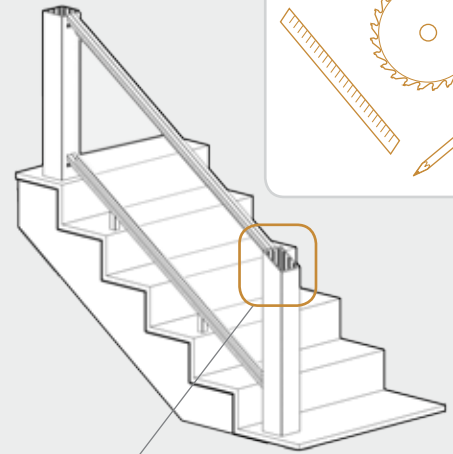
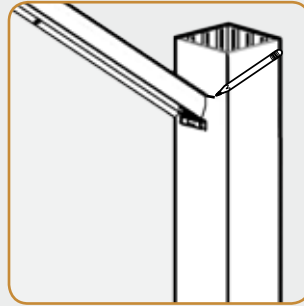


Post Sleeves should be flush with Top Universal Rail.

## 7

### MEASURE AND TRIM BOTTOM POST AND POST SLEEVE

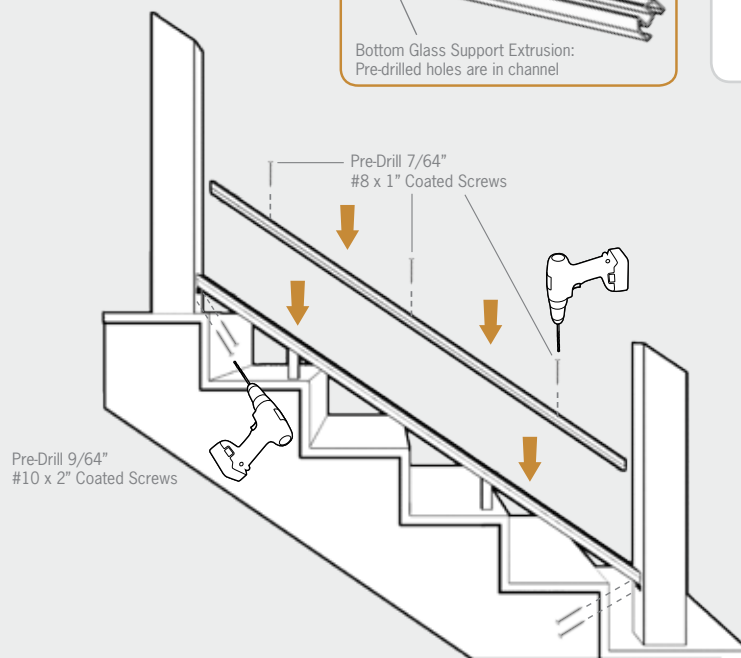
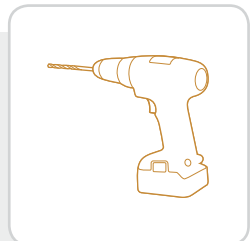
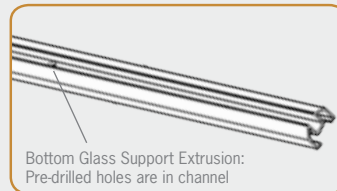
- Mark where Top Universal Rail meets Bottom Post Sleeve.
- Remove Post Sleeve and trim to stair angle. Replace Post Sleeve.
- Use Post Sleeve to mark the angle of cut on Post. Remove Post Sleeve.
- Using a straight edge, draw a line roughly 1/8" below previous mark on Post.
- Trim Post at lower line.
- Replace Post Sleeve.
- Slide on Post Skirts.



## 8

### INSTALL BOTTOM UNIVERSAL RAIL AND BOTTOM GLASS CHANNEL

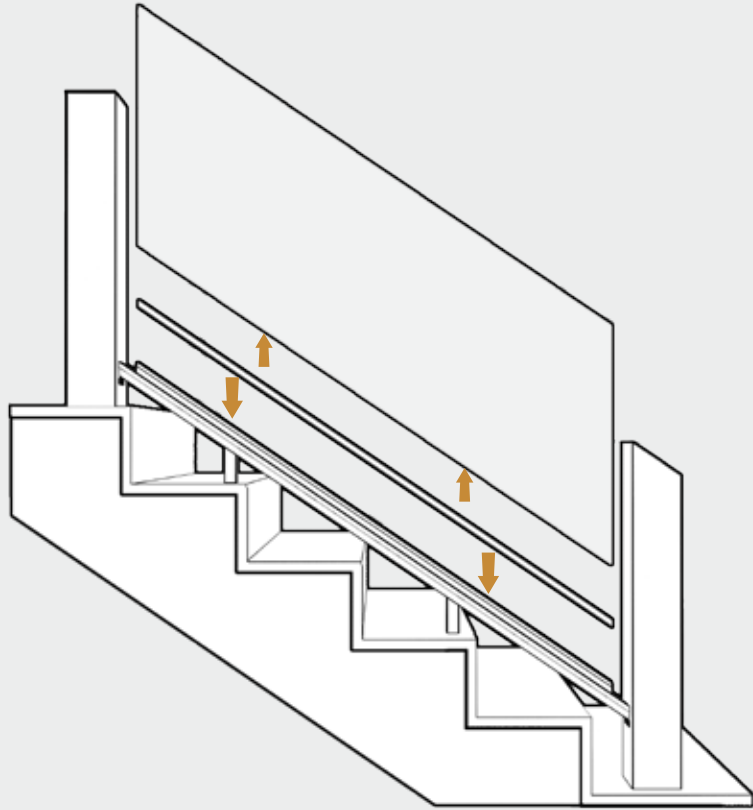
- Move Bottom Universal Rail and Glass Channel into place and secure.



## 9

### INSTALL GASKET AND GLASS PANEL

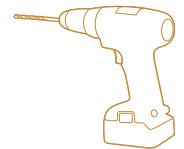
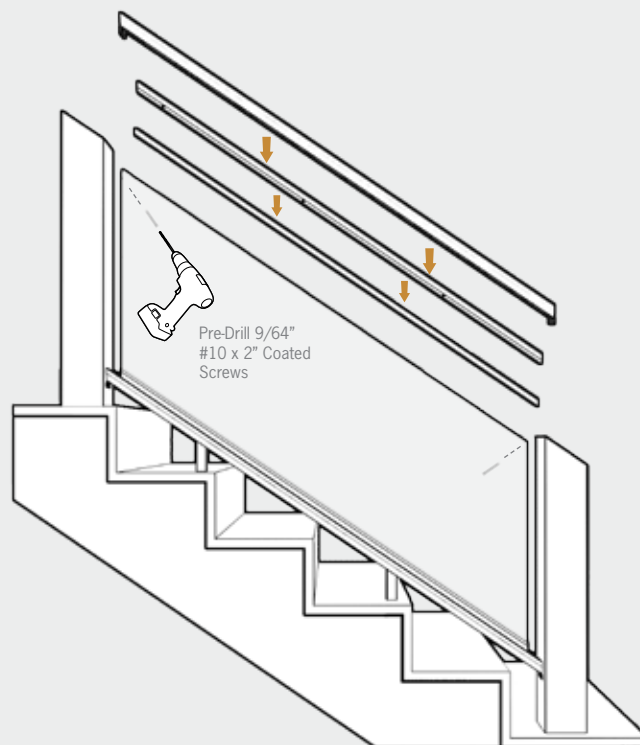
- Fit Bottom Gasket onto bottom of glass panel and fit assembly into channel in Bottom Glass Channel.



## 10

### INSTALL BOTTOM SUPPORT RAIL AND BOTTOM GLASS CHANNEL

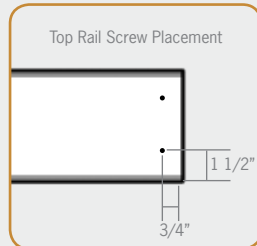
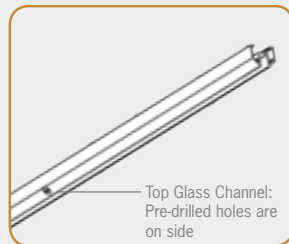
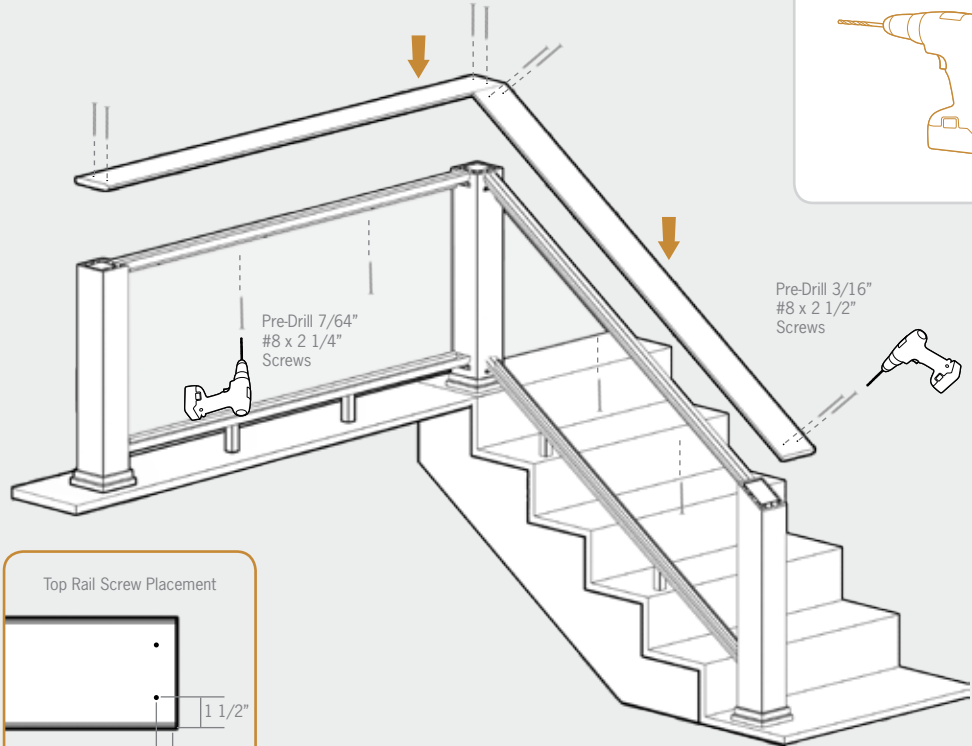
- Fit Top Gasket on top of glass panel, followed by the Top Glass Support Extrusion.
- Place Top Universal Rail over glass panel assembly and secure.



## 11

### INSTALL TOP RAIL

- Finish railing system installing the Contemporary Top Rail to the top of the rail assembly.
- Pre-Drill  $9/64"$  and secure planks at posts.





**Evolutions Rail™  
Contemporary Style  
Installation Guide**



TimberTech  
894 Prairie Avenue  
Wilmington, OH 45177  
timbertech.com  
1.800.307.7780