



## AZEK Porch Install Guide

Installation Guidelines .....	2
Tools Required.....	2
Installation Preparation .....	5
Fasteners .....	5
Expansion and Contraction .....	5
Installation Instructions.....	6-7
Perimeter Details.....	9
Stair Details.....	9
Care and Cleaning.....	10

## Installation Guidelines

AZEK<sup>®</sup> Porch should be installed using the same good building principals used to install wood or composite porch and in accordance with the local building codes and the installation guidelines included below. AZEK<sup>®</sup> Building Products Inc. accepts no liability or responsibility for the improper installation of this product. AZEK Porch may not be suitable for every application, such as not being suitable for waterproof applications, and it is the sole responsibility of the installer to be sure that AZEK Porch is fit for the intended use. Since all installations are unique, it is also the installer's responsibility to determine specific requirements for each AZEK Porch application. AZEK Building Products recommends that all applications be reviewed by a licensed architect, engineer or local building official before installation. If you have any questions or need further assistance, please call AZEK Customer Service at 1-877-ASK-AZEK, (877) 275-2935 or visit our website at [www.azek.com](http://www.azek.com).

### Tools Required

- AZEK Porch can be installed using the same tools you would use to install wood porch products.
- Corded or cordless driver/screw gun may be used.
- Self-feeding screw guns can be used. Check with manufacturer for compatibility with AZEK Porch.
- Miter saw with a fine-toothed, carbide tipped finish trim blade works well for cutting.
- As with installing a wood porch, safety glasses should be worn during the entire installation process.
- For best results, a power miter/compound miter saw with a fine-toothed carbide tip alternate top bevel blade is recommended (12" – 60 tooth minimum). Use a jigsaw to cut around obstructions such as posts. When working with AZEK products be sure to wear proper clothing and safety equipment. Safety glasses should be used during the entire installation process. Do not use any cordless saws as chipping will occur.



## **STOP! Read this section before you start!**

Always make sure to visit [www.azek.com](http://www.azek.com) to ensure you are viewing the most current installation instructions, care and cleaning, technical information and more.

### **AZEK Porch**

AZEK does not recommend the use of rubber or vinyl products (welcome mats, planters, etc.) on porch boards. A reaction can occur that causes discoloration of the board under the rubber/vinyl product. This is a common caution for vinyl decking products.

Do NOT nail AZEK Porch boards. Although AZEK Porch is cooler to the touch than many other porch boards in similar colors, all porch products will get hot in the sun. Additionally, the darker the porch color, the hotter it will feel.

AZEK does not recommend the use of rubber or vinyl products (welcome mats, planters, etc.) on porch boards. A reaction can occur that causes discoloration of the decking under the rubber/vinyl product. This is a common caution for polymer decking products.

Cutting or drilling metal should not be done on AZEK Porch boards as metal shavings may come hot and embed themselves into the boards.

Always be sure to check and cut the factory cut ends of boards to ensure they are square.

### **Walking Surface and Grain Pattern**

AZEK Porch planks are intended to be installed with the embossed wood grain side up. The non-embossed surface is not to be used as a walking surface. This applies to all porch surfaces.

### **Static Electricity**

The buildup or generation of static electricity is a naturally occurring phenomenon in many plastic based products such as carpeting, upholstery, and clothing, and can occur on alternative decking under certain environmental conditions.

### **Cantilevering**

For best results, don't cantilever over 1/2".

### **Routing**

AZEK Porch/Rim Joist Covers/Riser should not be routed.

### **Color and Grain Patterns**

AZEK Porch is designed to mimic the look of real wood, and like real wood, there will be a slight difference in color and grain pattern from board to board. This is

**STOP! Read this section before you start! (Continued)**

Always make sure to visit [www.azek.com](http://www.azek.com) to ensure you are viewing the most current installation instructions, care and cleaning, technical information and more.

intentional and part of the manufacturing process, giving AZEK Porch the most realistic and wood-like appearance possible. This variation is purely aesthetic and does not or will not affect the performance of the product.

**Color and Temperature**

Although AZEK Porch products are cooler to the touch than many other deck board products in similar colors, all decking products will get hot in the sun. Additionally, the darker the decking color, the hotter it will feel.

**Rooftops**

DO NOT attach porch boards to a floating sub-structure which is not mechanically fastened frequently and sufficiently to the building and roof deck.

**Note**

In areas with obstructed airflow such as roofs and on-grade applications, a minimum of 1-1/2" sleeper system

**supported by and connected to the substructure over which the deck is built is required.**

AZEK Porch is NOT intended for use as columns, support posts, beams, joist stringers, guard railing or other primary load-bearing members. AZEK must be supported by a code-compliant substructure. While AZEK Porch products are great for re-planking (removing old porch surface boards and installing AZEK on a code-compliant substructure), AZEK Porch boards CANNOT be installed on top of an existing porch. AZEK Porch is not intended to be waterproof and should not be used in any waterproof application. Caulks, adhesives or other similar products should not be used in the tongue and groove areas of AZEK Porch.

Failure to install AZEK Porch products in accordance with applicable building codes and this Installation Guide may lead to personal injury, affect porch/deck system performance and void the product warranty.

**Rooftop Decks**

When considering AZEK® Porch in a roof top application, it is imperative that the framing/sub-structure to which the boards will be attached is securely attached to the building or roof deck using suitable mechanical fasteners. Do not use adhesives to attach framing to the building or roof surface, and NEVER ATTACH PORCH BOARDS TO A FLOATING FRAME/SUB-STRUCTURE. Frequently check tops of sub-structure framing members to ensure that they are in plane, as AZEK® Porch will conform to the contour of the framing members to which it is attached. It may be necessary to shim or plane framing members due to thickness variations in lumber, or variations in the surface to which the framing/sub-structure is attached. Securely attaching rigid blocking between framing members at frequent intervals should also be incorporated to help limit sub-structure movement. Proper drainage and air flow should also be considered, with a minimum of 1 1/2" sleeper height necessary and deck boards must be attached to the properly secured sub-structure with a minimum of a 1/8" gap between deck boards. It is the installer's responsibility to determine if AZEK® Porch is suitable for a specific roof top application. The AZEK Company recommends that all applications be reviewed by a licensed architect, engineer, or local building official before installation. If you have any questions or need further assistance, please call AZEK Customer Service at 1-877-275-2935 or visit our website at [www.azek.com](http://www.azek.com).



## Extreme Heat Warning

Be aware of excessive heat on the surface of AZEK products from external sources, such as but not limited to, fire or reflection of sunlight from energy-efficient window products. Low-emissivity (Low-E) glass can potentially harm AZEK products. Low-E glass is designed to prevent passive heat gain within a structure and can cause unusual heat build-up on exterior surfaces. This extreme elevation of surface temperatures, which exceeds that of normal exposure, can possibly cause AZEK products to melt, sag, warp, discolor, increase expansion/contraction, and accelerate weathering.

Current or potential AZEK customers that have concerns about possible damage by Low-E glass should contact the manufacturer of the product which contains Low-E glass for a solution to reduce or eliminate the effects of reflected sunlight.



## Excessive Construction Debris

It is important during construction, the deck's surface stay clear from excessive build-up of dirt, sand, and dust from tile, concrete, fiber cement products, landscape blocks, or any other masonry products. If these materials are not removed immediately, the deck surface will become difficult to clean and can potentially damage the deck's surface finish.

Do not use AZEK Porch as a work surface.

When installing AZEK Porch on a new home, best practice is to install after all other construction (siding, roofing, painting, etc.) is completed, otherwise permanent damage may occur.

If a build-up does occur please refer to the Care and Cleaning section in AZEK's installation guide or website, AZEK.com.

**IMPORTANT:** Do not allow airborne dust from concrete, landscape blocks, or any masonry product to accumulate on the AZEK Deck, Porch, Rim Joist Covers, & Riser surface as it may damage the surface of the deck. Do not cut any product on or near AZEK Deck, Porch, & Rim Joist Covers.

## Installation Preparation

Follow these guidelines for best porch installation:

- Avoid storing AZEK Porch in areas of excessive heat



*Joists should be sloped at 1/4" per foot away from the house to facilitate drainage.*

- AZEK Porch Boards are one-sided products. Porch Boards are to be installed with the grain side up for the walking surface.
- AZEK Rim Joist Covers are one-sided products. Rim Joist Covers are to be installed with the grain side out.
- Proper joist spacing is required for proper installation. Joist spacing should never exceed 16" on center. For a more rigid feel, 12" may be preferred.
- Prior to installation of AZEK Porch boards, make sure joists are structurally sound, free of nails and spaced at a maximum of 16" center to center.
- If installing porch plank at 45° angle, space joists at 12" on center.
- AZEK Porch has a maximum span of 16" on center.
- As joists are installed, run string line frequently to ensure that the tops of the joists are in plane, as AZEK Porch will conform to the contour of the joists to which it is attached. It may be necessary to shim or plane joists due to size variations in lumber. Be sure to sort and exclude any extremely crowned joists/lumber material.
- Install solid wood blocking between each joist, placed in rows at maximum every 4' - 6' within the structure using

## Installation Preparation (Continued)

exterior grade screws. Solid blocking will help reduce up or down movement and/or twisting of joists. Limiting joist movement can help reduce excessive gapping and also ensure a more uniform finished surface of the AZEK Porch.

- Be sure to install sufficient wood blocking below areas where railing posts will be installed.
- Provide proper structural support below AZEK Porch where load bearing columns are present.
- Items related to stair construction, structural framing or any other general construction questions should be reviewed with the local code authority, engineer, or architect.
- All porch framing and substructure should be securely attached to ground footings and/or building structure. No floating substructures should be used.

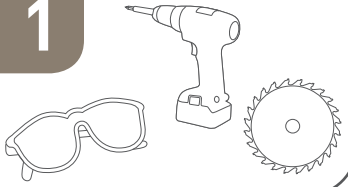
## Fasteners

- Listed are several suggested fastening methods. Additional fastening methods may exist for AZEK Porch.
- Minimum #7 x 2" 305 stainless steel trim head screw with #17 drill point.
- When using a pneumatic flooring nailer, we suggest using barbed/serrated 2" stainless steel cleat "T" nails or "L" cleats.
- For salt water coastal applications, we suggest using the above minimum fastener requirements in 316 stainless steel fasteners.
- Please contact fastener manufacturer to ensure availability, compatibility, and proper use with AZEK Porch.

## Expansion and Contraction

- When fastened properly, AZEK Porch will demonstrate minimal changes due to expansion and contraction. The expansion and contraction encountered may result in slight gaps which might be noticed at the ends of boards or in splice joints. Best practice is to cut and fasten AZEK Porch boards as soon after cutting as possible.
- When long runs of porch boards with butt joints is planned, it is best to keep boards shaded or as cool as possible prior to installing, then fasten boards together tight at splices or miters.
- Be sure to fasten ends of boards, splices, or abutments to building or structure securely into framing using a screw which is positioned within 1/2" of each board end or joint.
- For butt joints, be sure to trim cut factory ends to ensure squareness. Do not scarf cut butt joints.
- Expansion and contraction are most significant where extreme temperature change may exist.
- For best results, stagger splices and miters across the porch surface so that all splices and miters do not break on the same joist.
- During installation, frequently check that AZEK Porch boards are installed straight by checking frequently using a string line.
- To further minimize expansion and contraction, proper ventilation and air flow should be considered.
- Framing/sub-structure must be securely attached to ground footings or building structure. No floating sub-structures should be used in any application with AZEK Porch, including on grade, concrete, or in roof top applications.

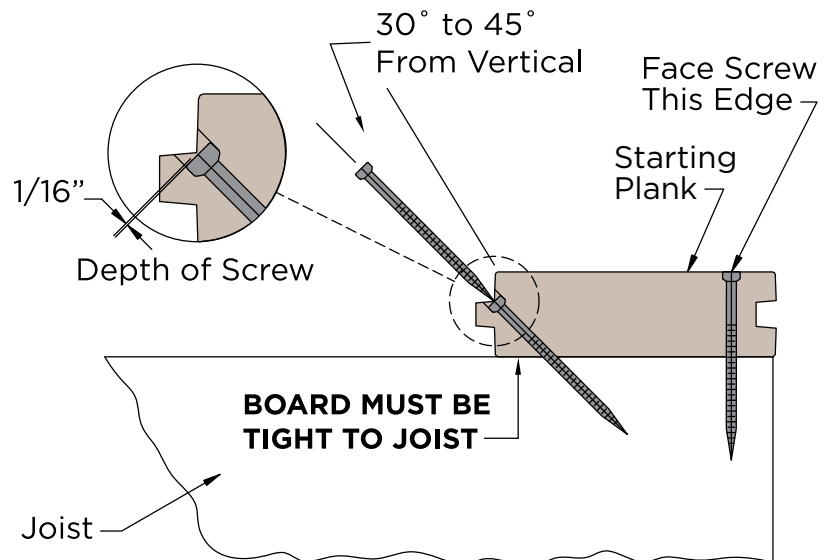
1



### Install the Starting Board

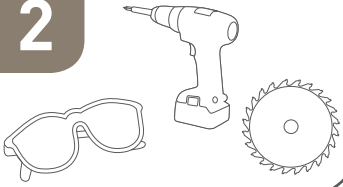
- AZEK Porch is one-sided with the grain side up for the walking surface.
- Install starting board with grooved edge against the house or on the outside edge of the porch if the boards will run perpendicular to the house.
- Attach the starting board by first installing fasteners down through the board at the edge nearest the groove.
- Then attach at each joist by driving a fastener through the tongue at the approximate angle shown in Diagram 1.
- Fasteners should seat approximately 1/16" into the surface of the product above the tongue as shown to allow for complete insertion of the next board.

Diagram 1



AZEK Porch must be fastened tight to joist. If there are variations in framing, shims may be required.

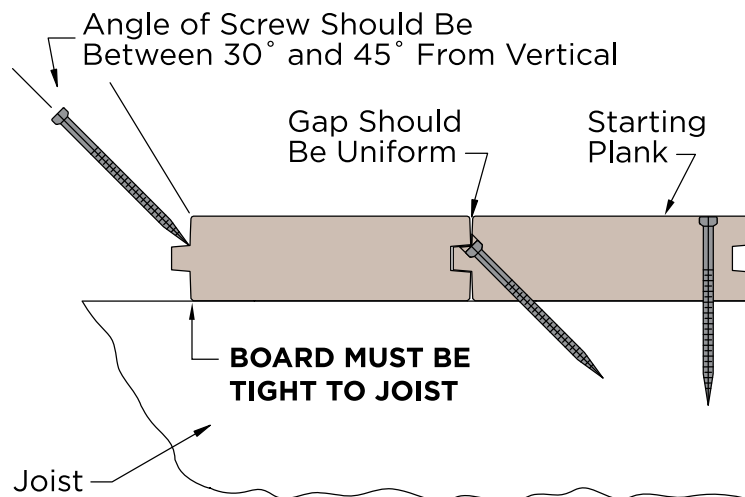
2



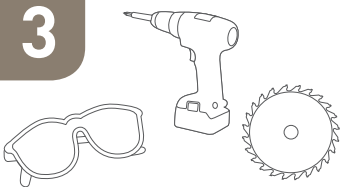
### Installing the Next Board

- Install the next board by inserting the grooved edge over the exposed tongue on the starting board. It may be necessary to apply light pressure to ensure the board is engaged completely to minimize irregularity in top seam. Do not strike the board with a hammer or mallet, or damage to the board may occur.
- After board is fully engaged onto the starting board, drive fasteners through the tongue at each joist as shown in Diagram 2. Remember to countersink the fasteners slightly to provide necessary clearance when installing the next board.

Diagram 2



3



### Installing the Remaining Boards

- Continue to add boards per step 2 until outer edge of porch is reached.
- Final board may require removal of tongue or rip cutting to a necessary width. Use a table saw or circular saw to accomplish this. Attach the last board by face fastening through the top or toe fasten along the outer edge.

## Storage & Handling

- Store AZEK Deck, Porch, & Rim Joist Covers on a flat and level surface.
- Store products in a cool, shady area prior to installation.
- Do not stack bundles over 8 units high.
- Always leave factory applied protective wrap. If stored outdoors, the product must be covered with non-translucent material.
- Use care when handling product with a forklift as forks can easily damage the material.
- If banding is used, use protective corners to prevent indents from the bands.
- Avoid storing AZEK Deck, Porch, Rim Joist Covers, & Riser in areas of excessive heat.

## Considerations

- Depending on environmental conditions, AZEK Deck, Porch, Rim Joist Covers, & Riser colors may appear to lighten over time as part of the natural weathering process.
- Please be aware that excessive heat build on the surface of AZEK products from external sources such as, but not limited to, fire or reflection of sunlight can potentially lead to damage. For example, sunlight which may be reflected by low-emissivity (Low-E) glass can potentially lead to damage of exterior building products, including AZEK Deck, Porch, & Rim Joist Covers, Riser, Trim, Moulding or Railing products, due to elevation of surface temperatures which far exceed that of normal exposure of the same materials to direct sunlight. Possible damage by such reflected concentrated light may include melting, sagging, warping, distortion, surface discoloration, increased expansion or contraction, and unusual weathering.
- Static build-up is a natural occurring phenomenon that can occur with many plastic products including PVC Decking. It could occur with AZEK products under the right environmental conditions. The buildup or generation of static electricity is a naturally occurring phenomenon in many plastic based products such as carpeting, upholstery, and clothing, and can occur on alternative decking under certain environmental conditions and is not a product defect.
- Although AZEK Deck & Porch products are cooler to the touch than many other deckboard products in similar colors, all decking products will get hot in the sun. Additionally, the darker the decking color, the hotter it will feel.
- Always remove jobsite dust, clay, dirt, mud, and other construction products from AZEK Deck, Porch, Rim Joist Covers, & Riser quickly. Do not allow construction dirt and debris to sit on the AZEK Deck/ Porch surface.
- **IMPORTANT:** Do not allow airborne dust from concrete, fiber cement siding, landscape blocks, or any masonry product to accumulate on the AZEK Deck, Porch, Rim Joist Covers, & Riser surface as it may damage the surface of the deck. Do not cut any product on or near AZEK Deck, Porch, & Rim Joist Covers.



## Perimeter Details Finishing Options

- Cover exposed edge with AZEK Trim or AZEK Deck rim joist cover. Refer to AZEK Trim or AZEK Deck Installation Guidelines for proper installation of trim or rim joist cover.
- Picture frame the entire porch using AZEK Deck 1" x 5 1/2" as a border. If this option is desired, layout porch accordingly to accommodate variance in spacing and height. Square shouldered AZEK Deck planks are available in all porch colors, with the exception of Oyster.
- Attach AZEK Moulding to exposed edge.

## Stair Details

- AZEK Porch may be used for stair treads. AZEK Deck 1" x 5 1/2" may also be used. AZEK Deck rim joist cover or AZEK Trim can be used to trim out the risers.
- To meet AC174 requirement, install stair stringers at a maximum of 10" on center.
- Some codes may require specific framing or structural requirements. Check with your local code authorities pertaining to specific stair requirements.

## Care and Maintenance

To keep your AZEK Porch looking its best:

- It is recommended that you wash your porch periodically with ordinary household products to remove stains, dirt and debris.
- To remove rust stains, use a household cleaner such as Krud Kutter "the must for rust".
- Avoid the use of rubber-backed mats, tarps, pool toys, and other non-porous items on the porch for an extended period of time as these items may cause discoloration to the porch surface.
- Some products, such as sunblock and insect repellent, contain chemicals that may alter the surface of AZEK Porch. Check product labels and consult with the manufacturer as to product compatibility with plastic materials, such as AZEK Porch, prior to use on or near AZEK Porch.
- Do not get any PVC glue or similar product on the surface of an AZEK Porch as it may discolor and permanently damage the AZEK Porch surface.

For ice removal:

- Most products containing calcium chloride can be used without damage to the porch surface. These products may leave a white residue which can be cleaned using the cleaning guidelines above.
- Metal shovels may damage the surface of AZEK Porch and are not recommended for clearing snow from the porch surface.

(These guidelines may not cover every care and maintenance scenario encountered. For additional questions about care and maintenance, call (877) ASK-AZEK.)

## Warranty

AZEK Building Products are made exclusively from technologically advanced materials designed to provide years of enjoyment. AZEK Porch products are covered by a Limited Lifetime Warranty for residential applications and a 20-year Limited Warranty for commercial applications. The warranty covers defects resulting in blistering, peeling, flaking, cracking, splitting, cupping, rotting or structural defects from termites or fungal decay.

## Care & Maintenance

To keep your AZEK Deck/Porch looking its best:

- To remove rust stains, use a household cleaner such as Krud Kutter “the must for rust”.
  - Avoid the use of rubber-backed mats, tarps, pool toys, and other non-porous items on the deck/porch for any extended period of time as these items may cause discoloration to the decking surface.
  - Some products, such as sunblock and insect repellent, contain chemicals that may alter the surface of AZEK Deck, Porch, Rim Joist Covers, & Riser. Check product labels and consult with the manufacturer as to product compatibility with plastic materials, such as AZEK Deck, Porch, Rim Joist Covers, & Riser, prior to use on or near AZEK Deck/Rim Joist Covers.
  - Do not get any PVC glue or similar product on the surface of any AZEK Decking/Porch Product as it may discolor and permanently damage the surface.
  - To clean AZEK Deck/Porch, use an all-surface deck cleaner or another all-purpose cleaner such as Chomp<sup>®</sup> Gutter cleaner, Zep<sup>®</sup> 505, Simple<sup>®</sup> Green or Krud Kutter<sup>®</sup> Cleaner/Degreaser with a stiff natural fiber brush.
  - Always read the cleaning product manufacturers specific information before using any product on your AZEK Deck and follow their instructions. It is also a good idea to test the cleaner on a scrap piece or inconspicuous area of the deck to make sure it does not harm the surface.
  - **WARNING:** Keep children and pets away from cleaning products and AZEK Deck until dry.
- \*Note that composite deck cleaners such as Corte Clean<sup>®</sup>, Thompson’s<sup>®</sup> Water Seal<sup>®</sup> Oxy Action, Olympic<sup>®</sup> Premium Deck Cleaner, or other cleaners specified as composite deck cleaners, in powder or liquid form, **SHOULD NOT** be used with AZEK Deck/Porch. AZEK Deck/Porch is a PVC/polymer deck plank and not a wood/plastic composite.
  - Store products under cover to maintain a clean surface.
  - If stored outdoors, they must be covered with a non-translucent material.

### Ice and Snow:

- As with any walking surface, AZEK deck products may become slippery in Winter weather. Take caution when walking on the your AZEK deck in these conditions.
- For ice removal, most products containing calcium chloride can be used without damage to the deck/porch surface.
- These products may leave a white residue which can be cleaned using the cleaning guidelines above.
- Metal shovels or plastic shovels with a metal leading edge may damage the surface of AZEK Deck and are not recommended for clearing snow from deck/porch surface.

(These guidelines may not cover every care and maintenance scenario encountered. For additional questions about care and maintenance, call (877) ASK-AZEK).





**The AZEK Company**  
**1330 W. Fulton Street, Suite 350**  
**Chicago, IL 60607**  
**AZEK.com | TimberTech.com**